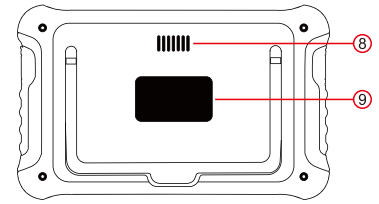
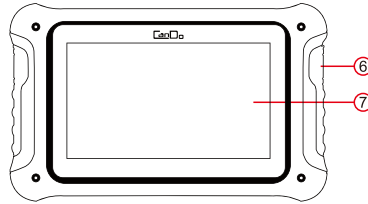
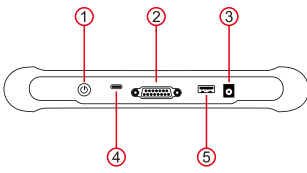


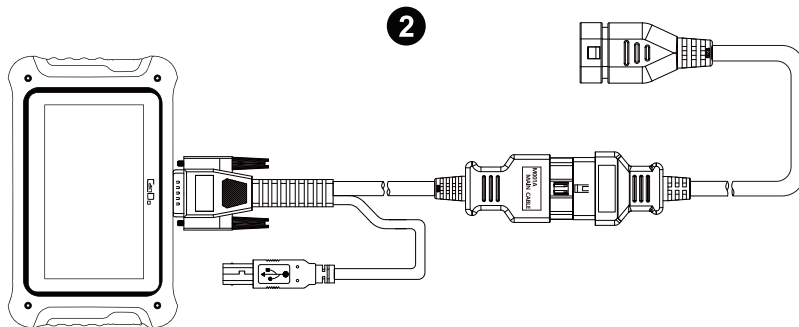
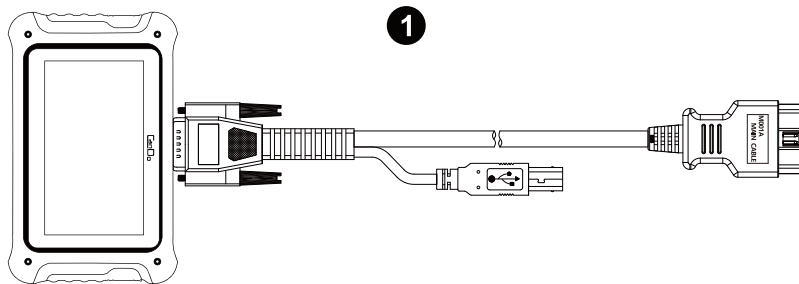
QUICK START GUIDANCE



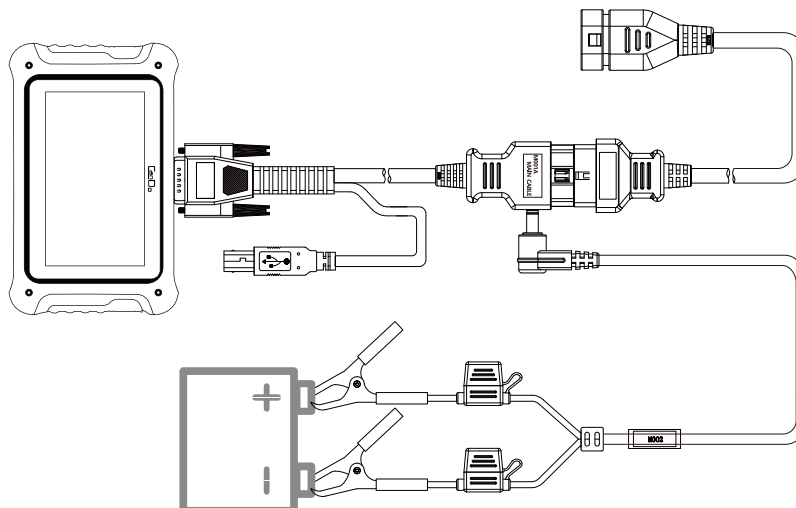
The MOTO Mini takes the global coverage of the MOTO Pro and breaks it down to market-specific manufacturer coverage. Packaged in a 7" Android tablet, OE-level software, including full bi-directional controls, calibrations and special functions are included.

- (1) OFF/ON
- (2) Main Cable Port
- (3) Charging Port
- (4) Type-c Socket
- (5) USB Port
- (6) TF Card Slot
- (7) Touch/Display Screen
- (8) Speaker
- (9) Sticker

Connection Diagram



OR



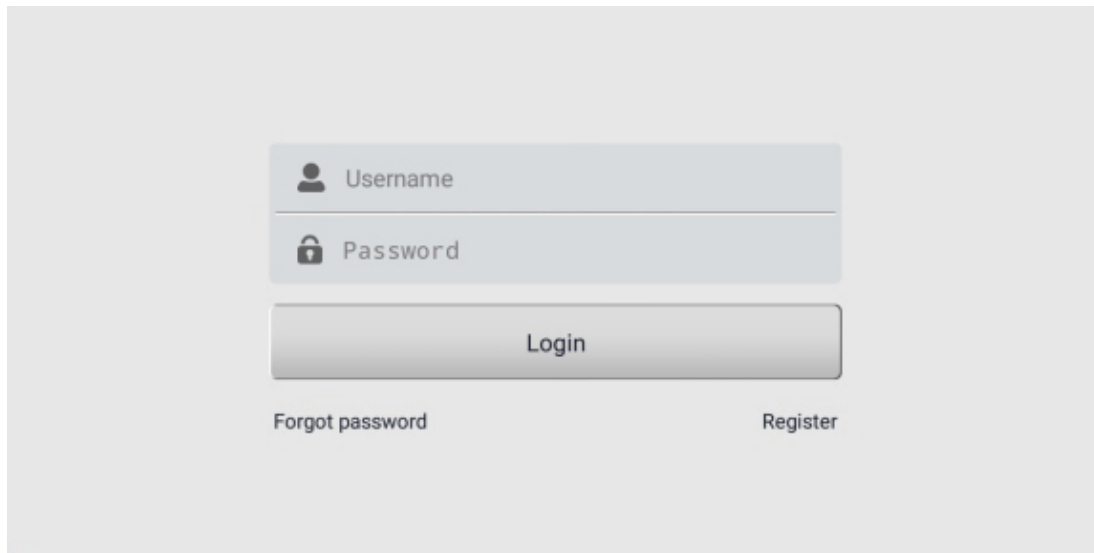
Power On- Registration- Upgrade

■ Power On

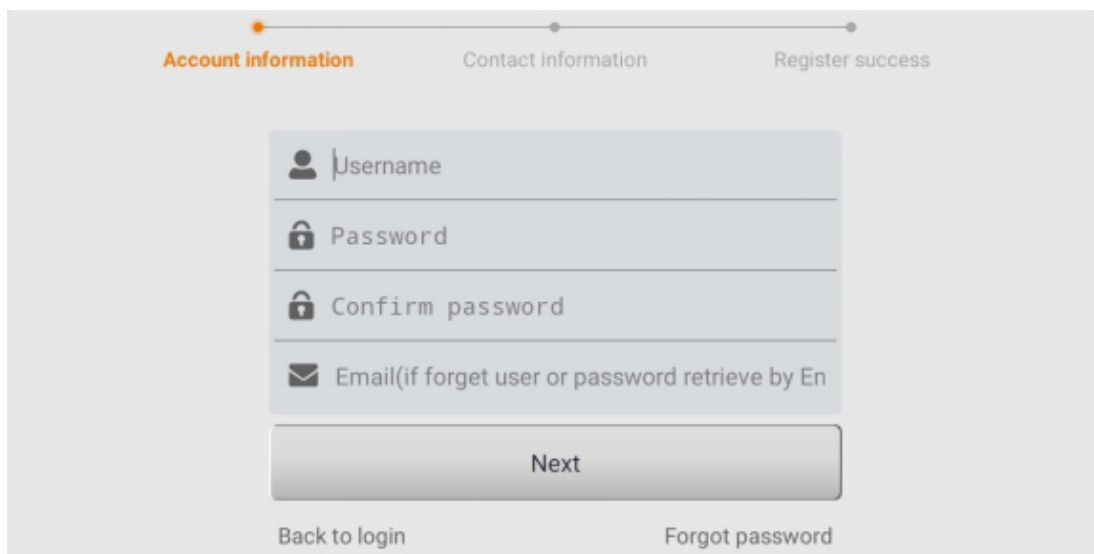
Long press "ON/OFF" button for 3 seconds

■ Registration

Connect the equipment with power supply and wifi. Click "DP" - "Personal Center" - "Register" - Fill in relevant information and click "Okay" - Register successfully



The image shows a login screen with a light gray background. At the top, there are two input fields: the first is labeled 'Username' with a person icon, and the second is labeled 'Password' with a lock icon. Below these fields is a large, rounded rectangular button labeled 'Login'. At the bottom of the screen, there are two links: 'Forgot password' on the left and 'Register' on the right.



The image shows a registration screen with a light gray background. At the top, there is a progress indicator with three dots; the first dot is orange and labeled 'Account information', the second is gray and labeled 'Contact information', and the third is gray and labeled 'Register success'. Below the progress indicator are four input fields: 'Username' (with a person icon), 'Password' (with a lock icon), 'Confirm password' (with a lock icon), and 'Email(if forget user or password retrieve by En)' (with an envelope icon). Below these fields is a large, rounded rectangular button labeled 'Next'. At the bottom of the screen, there are two links: 'Back to login' on the left and 'Forgot password' on the right.

Please retain your login information. If lost, your password can be retrieved via email. All product pictures and specifications are for reference only. Please refer to the actual Product Configuration. CanDo reserves the right to amend this Quick Start guide without any notice.

For More Information:

Please visit CANDO official website: www.candointl.com to acquire more product details checking the manual: turn on device and connect with network start from DP main page click "Support" - "Manual" more about your equipment

Service Contact: 1-909-CanDo-11(226-3611)

